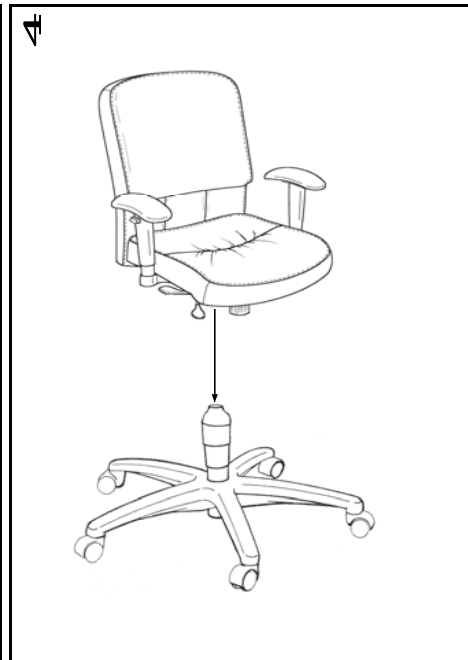
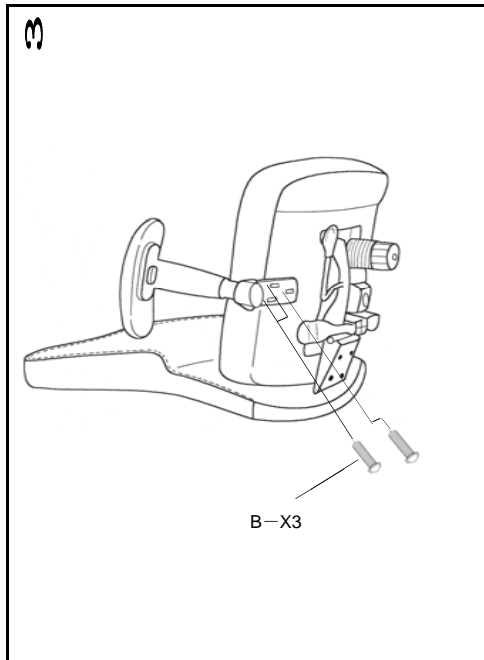
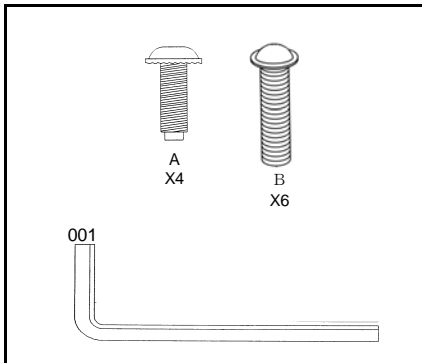
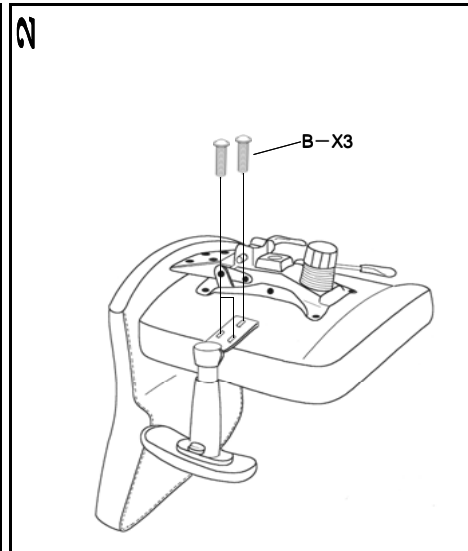
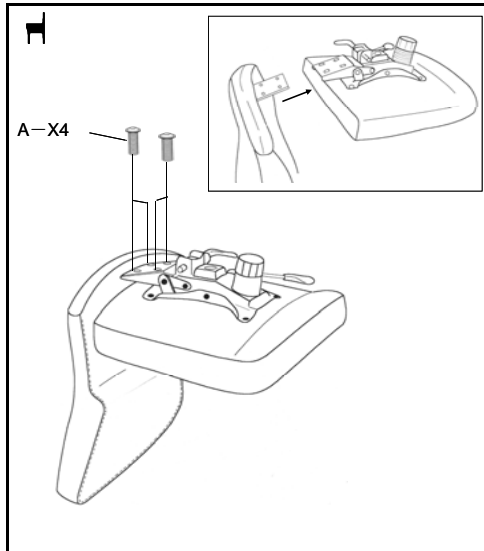
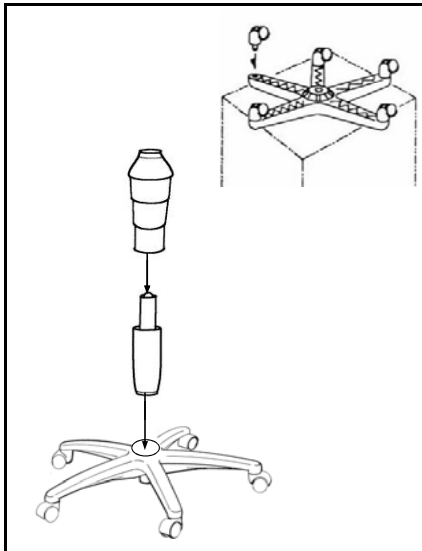


ASSEMBLY INSTRUCTIONS MODEL 9271S
 REMOVE ALL ITEMS FROM THE CARTON. VERIFY ALL PIECES BEFORE ASSEMBLY



		QTY
A	SCREW	4
B	SCREW	6
001	ALLEN WRENCH FOR SCREWS(A)	1

5 OPERATING INSTRUCTIONS

A. SEAT HEIGHT ADJUSTMENT

- TO RAISE THE SEAT:
 - LEAN SLIGHTLY FORWARD WHILE SEATED-TO RELIEVE THE PRESSURE ON THE TILT MECHANISM.
 - REACH UNDER THE RIGHT SIDE OF THE CHAIR AND LOCATE THE HANDLE AND RAISE YOURSELF UP SLIGHTLY TO ALLOW THE CHAIR TO REACH YOUR DESIRED HEIGHT.
- TO LOWER THE SEAT:
 - REMAIN SEATED AND LIFT THE HANDLE UPWARDS UNTIL THE CHAIR LOWER TO YOUR DESIRED HEIGHT.

B. BACK POSTURE ADJUSTMENT

- PULL THE HANDLE 'UP' TO FREE THE MOVEMENT TO YOUR DESIRED ANGLE.
- PUSH THE HANDLE 'DOWN' TO LOCK AND FIX TO YOUR DESIRED ANGLE.

C. TILT TENSION ADJUSTMENT:
 GRASP THE ROUND CYLINDER KNOB UNDER THE FRONT CENTER SEAT.

- FOR FIRMER/STIFFER-TURN CLOCKWISE.
- FOR SOFTER/LOOSER-TURN COUNTER CLOCKWISE.

TO RELEASE FROM FULL TILTED LOCK POSITION, LEAN BACK AND PULL HANDLE OUT.

PREVENTATIVE MAINTENANCE AND WARNING
 USE THIS PRODUCT ONLY FOR SEATING ONE PERSON AT A TIME
 DO NOT USE CHAIR AS STEP STOOL/LADDER
 DO NOT USE CHAIR UNLESS ALL BOLTS, SCREWS ARE TIGHT
 CHECK AND RETIGHTEN ALL BOLTS, SCREWS EVERY 6 MONTHS

ANY QUESTIONS PLEASE CONTACT
 CHAIRWORKS AMERICA
 755 RACK DRIVE, SUITE A
 LAWRENCEVILLE, GA 30046
 1-888-217-2577