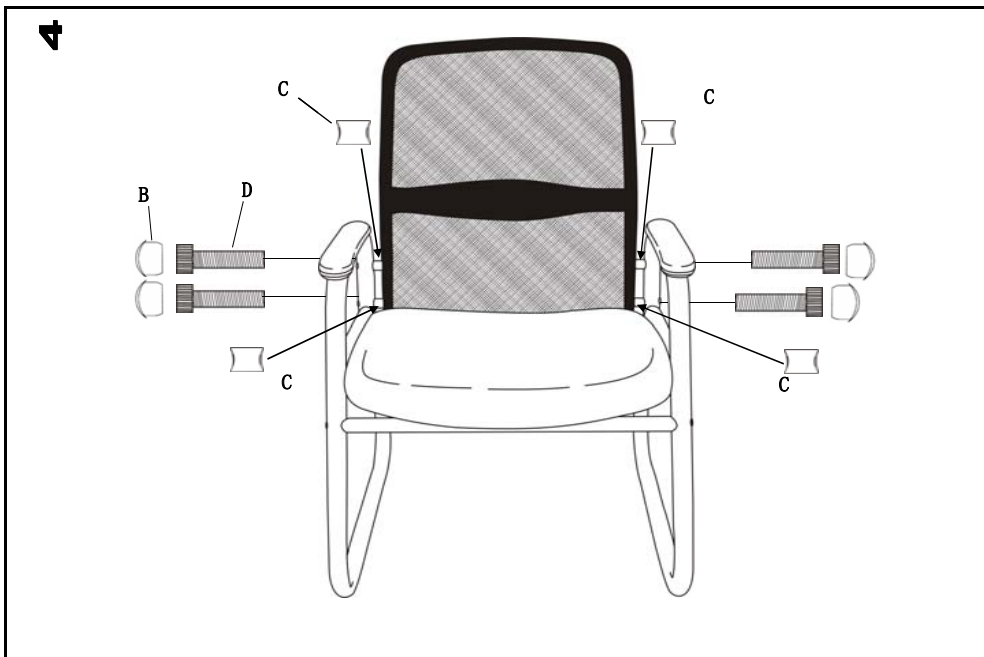
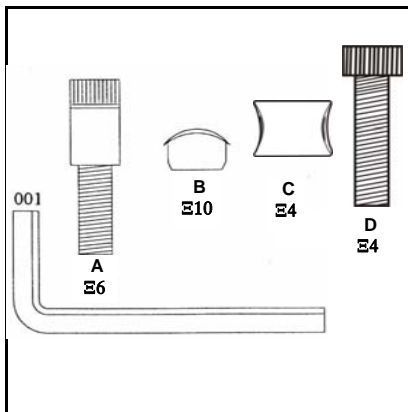
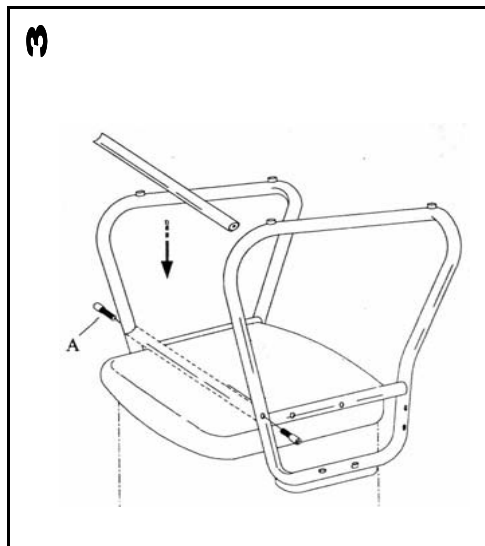
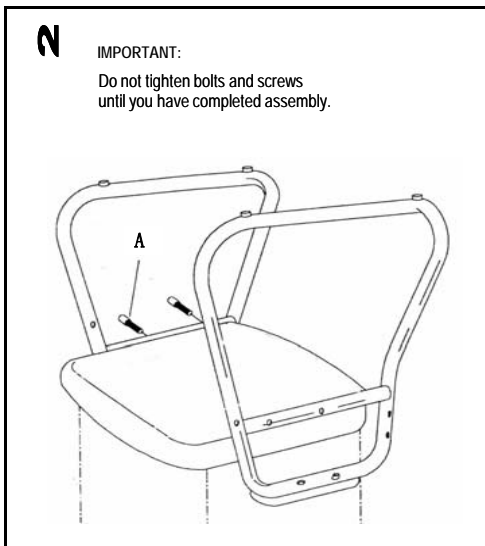
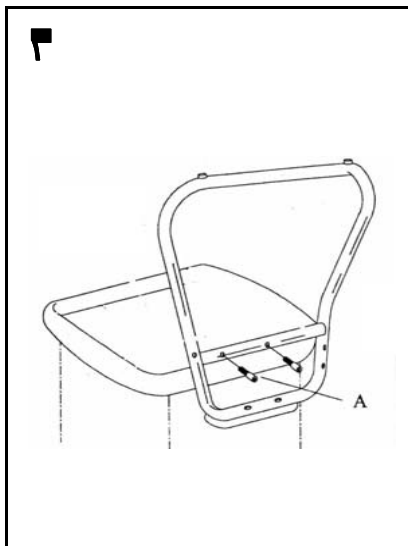


ASSEMBLY INSTRUCTIONS MODEL 9537N

REMOVE ALL ITEMS FROM THE CARTON. VERIFY ALL PIECES BEFORE ASSEMBLY



		QTY
A	SCREW	6
B	PLASTIC CAP	10
C	BUSHING	4
D	SCREW	4
001	ALLEN KEY FOR SCREWS (A,D)	1

PREVENTATIVE MAINTENANCE AND WARNING  
 USE THIS PRODUCT ONLY FOR SEATING ONE PERSON AT A TIME  
 DO NOT USE CHAIR AS STEP STOOL/LADDER  
 DO NOT USE CHAIR UNLESS ALL BOLTS, SCREWS ARE TIGHT  
 CHECK AND RETIGHTEN ALL BOLTS, SCREWS EVERY 6 MONTHS

ANY QUESTIONS PLEASE CONTACT  
 CHAIRWORKS AMERICA  
 755 RACK DRIVE, SUITE A  
 LAWRENCEVILLE, GA 30046  
 1-888-217-2577