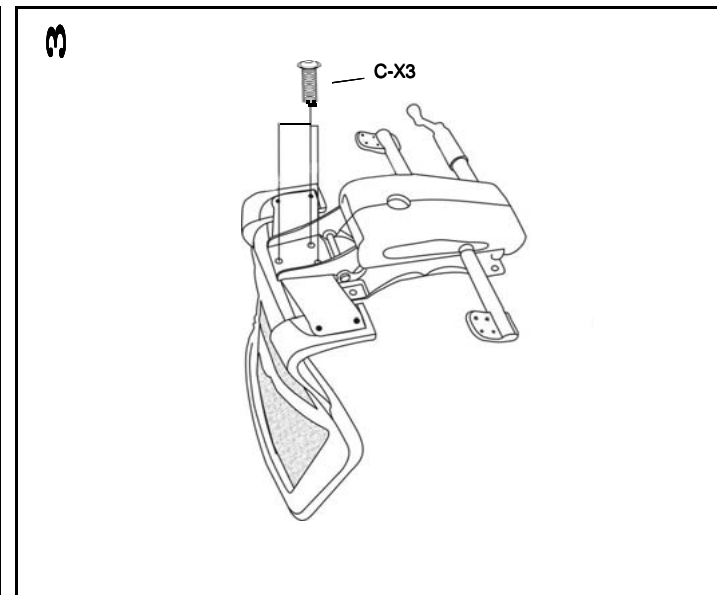
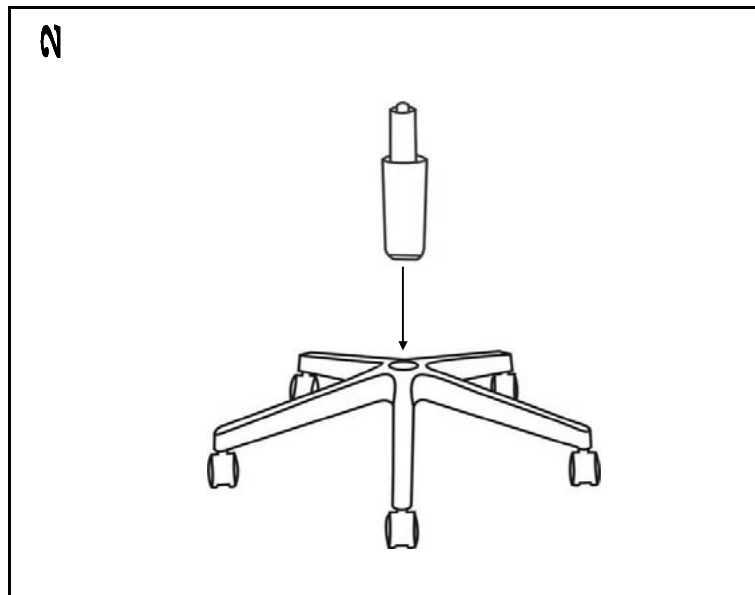
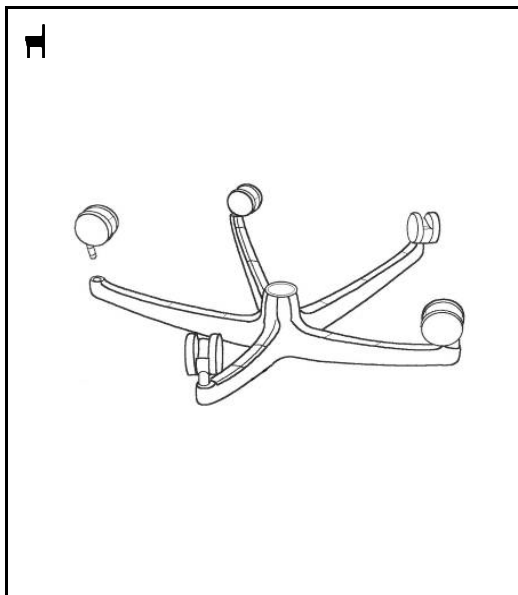
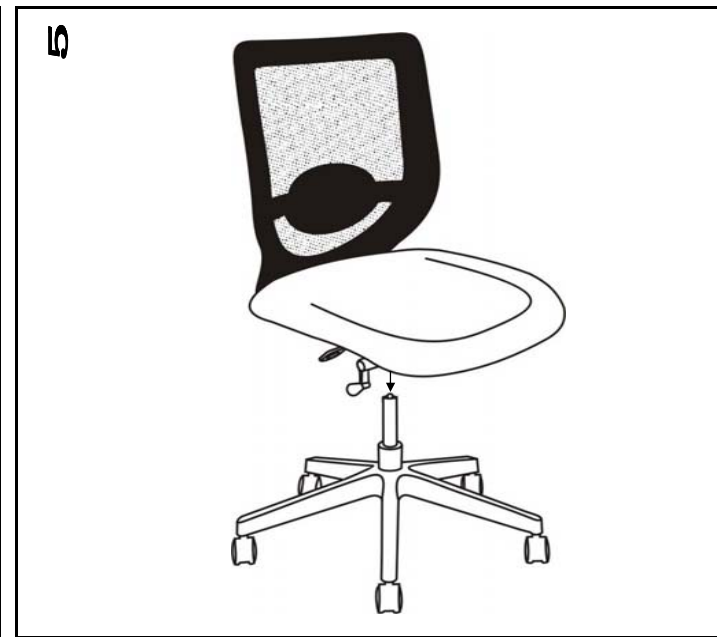
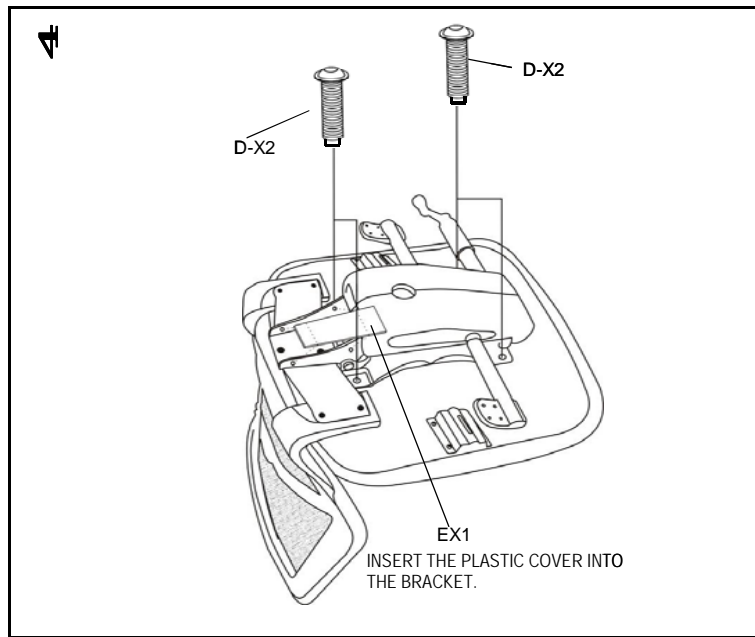


ASSEMBLY INSTRUCTIONS MODEL 9889V
 REMOVE ALL ITEMS FROM THE CARTON. VERIFY ALL PIECES BEFORE ASSEMBLY



	QTY
C SCREW	3
D SCREW	4
E PLASTIC COVER	1
001 ALLEN WRENCH FOR SCREWS(C.D)	1



PREVENTATIVE MAINTENANCE AND WARNING
 USE THIS PRODUCT ONLY FOR SEATING ONE PERSON AT A TIME
 DO NOT USE CHAIR AS STEP STOOL/LADDER
 DO NOT USE CHAIR UNLESS ALL BOLTS, SCREWS ARE TIGHT
 CHECK AND RETIGHTEN ALL BOLTS, SCREWS EVERY 6 MONTHS 1-888-217-2577

ANY QUESTIONS PLEASE CONTACT
 TIMI CHAIRWORKS AMERICA
 755 RACK DRIVE, SUITE A
 LAWRENCEVILLE, GA 30046