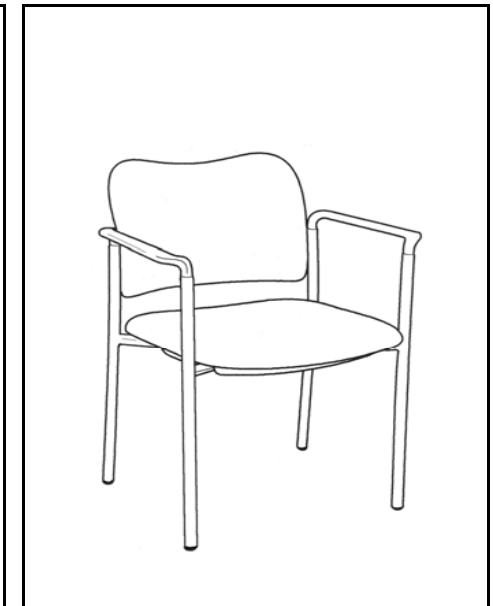
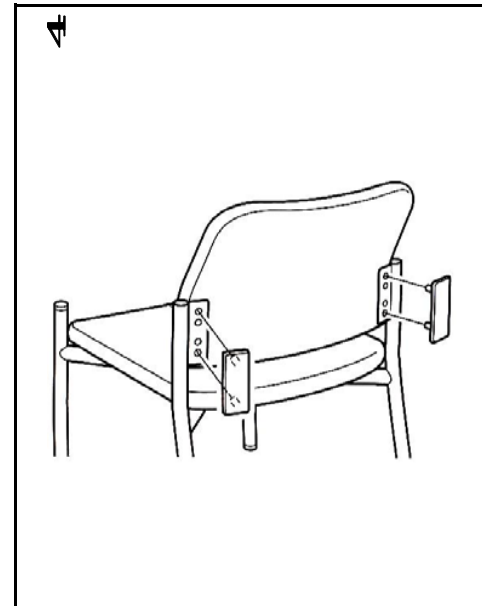
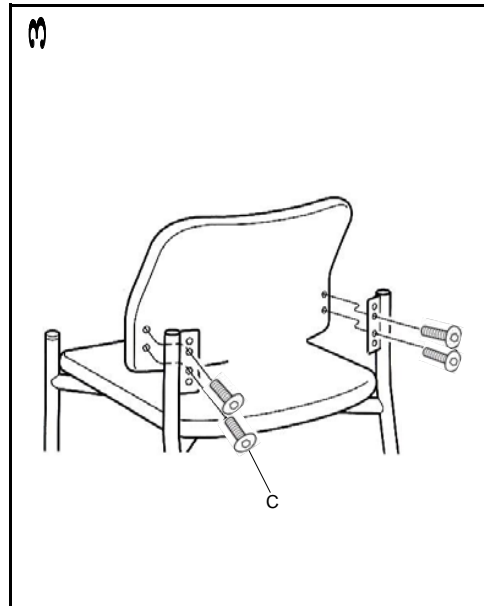
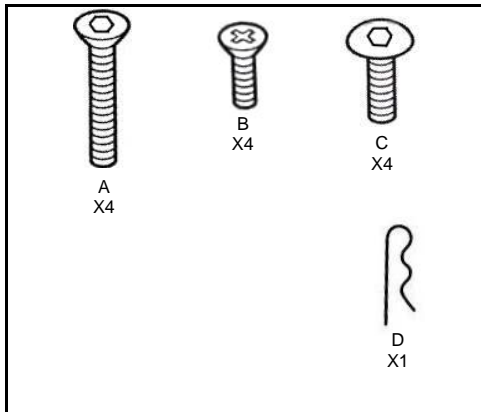
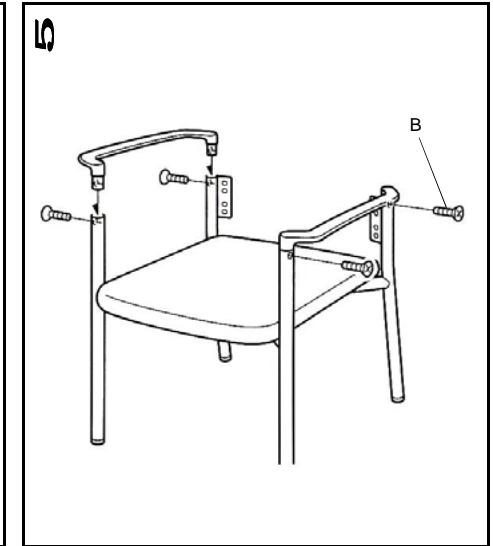
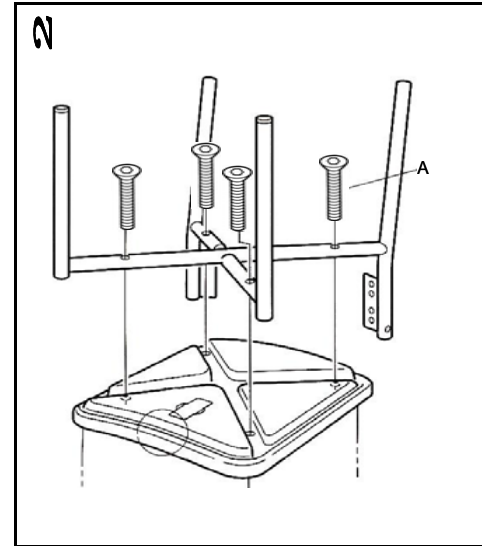
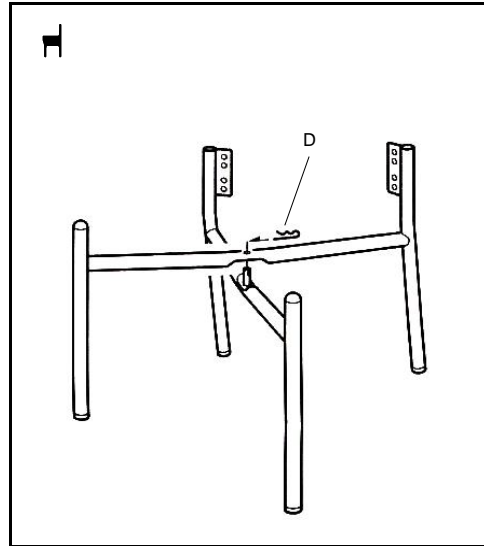


# ASSEMBLY INSTRUCTIONS MODEL 9961

REMOVE ALL ITEMS FROM THE CARTON. VERIFY ALL PIECES BEFORE ASSEMBLY



	QTY		QTY
	1		2
	1		2
	2		001



		QTY
A	SCREW	4
B	SCREW	4
C	SCREW	4
D	CLIP	1

## PREVENTATIVE MAINTENANCE AND WARNING

USE THIS PRODUCT ONLY FOR SEATING ONE PERSON AT A TIME  
 DO NOT USE CHAIR AS STEP STOOL/LADDER  
 DO NOT USE CHAIR UNLESS ALL BOLTS, SCREWS ARE TIGHT  
 CHECK AND RETIGHTEN ALL BOLTS, SCREWS EVERY 6 MONTHS

## ANY QUESTIONS PLEASE CONTACT

CHAIRWORKS AMERICA  
 755 RACK DRIVE, SUITE A  
 LAWRENCEVILLE, GA 30046  
 1-888-217-2577